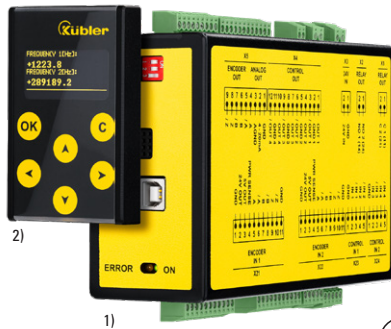


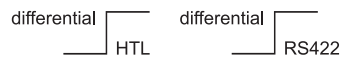
# Safe speed monitors

<b>Safety-M compact Basic module</b>	<b>Speed monitoring – SMC1.3</b>	<b>1 axis / 1 encoder system</b>
--	----------------------------------	----------------------------------



**SMC1.3 is a compact safety module of the Safety-M family with integrated drive monitoring for one axis with a safe encoder system. This standalone speed monitor (basic module) can be operated without additional safe PLC.**

**SMC1.3 is the optimal solution for integration in existing safety circuits or for retrofitting old machines. For safe speed detection, solutions with a safe encoder / incremental sensor (HTL differential, RS422) are supported.**



The integrated signal converter and splitter allows an easy connection of controllers, which can operate using the same encoder system. It offers in addition the possibility of issuing an analog rotational speed value, e.g. to replace tachometers or similar.

The device can be parameterized with a removable control and diagnostic display or with the PC software "OSxx". This allows comfortable, comprehensive and simple diagnostics and settings on a PC on site or at the workplace.

The removable operating display (touchscreen) displays various features such as:

- 2-channel frequency display.
- freely scalable for speed, production rates, rotational speeds, stops.
- operating mode and error code display.

- Extensive library of pre-configured safe sensors and command devices. This allows easy parameterizing without programming.
- Complete range of speed-related safe drive monitoring functions equivalent to EN 61800-5-2 already integrated in firmware (SS1, SS2, SDI, SLI, SBC, SMS, SOS, SLS, SSM, STO).
- Integrated signal splitter to forward the encoder signals. No complex, interference-sensitive external wiring when the controller is to use the same signals.
- The signal converter can issue the encoder signal as RS422, HTL differential or as a 4 ... 20 mA analog value.
- Easy snap-on installation on 35 mm C profile rail.
- 8/4 safe control inputs, 4x2 safe control outputs. 2 safe synchronized potential-free relay contacts.
- Contact multiplication or increase of power capability by external contactors in connection with the device-internal monitoring function for external contacts (EDM).
- LED on the front side indicates operating state.
- Removable control and diagnosis display (optional).
- Free "OSxx" parameterization software.

<b>Order code</b>	<b>8 . SMC1 . 3 SA . 442</b> <small>a b c</small>
<b>a</b> Encoder interface 3 = 1 x screw terminal HTL differential, RS422	<b>b</b> Internal signal splitting S = with
<b>c</b> Analog output A = 4 ... 20 mA	

1) Safety-M compact basic module.  
2) Optional control and diagnosis display – to be ordered separately (see the accessories).

# Safe speed monitors

<b>Safety-M compact Basic module</b>	<b>Speed monitoring – SMC1.3</b>	<b>1 axis / 1 encoder system</b>
<b>Accessories</b>		Order no.
<b>Control and diagnostic display, OLED touch screen</b>		<b>8.SMCB.100</b>
<b>“OSxx” parameterization software</b>	download at	<b>www.kuebler.com/software</b>
<b>Shield terminal for encoder cable, C profile rail</b>	Shield diameter 3.0 ... 12.0 mm	<b>8.0000.4G06.0312</b>

Further Kübler accessories can be found at: [kuebler.com/accessories](http://kuebler.com/accessories)  
 Further Kübler cables and connectors can be found at: [kuebler.com/connection-technology](http://kuebler.com/connection-technology).  
 You will find an overview of our systems and components for Functional Safety under [www.kuebler.com/safety](http://www.kuebler.com/safety).

## Technical data

General data	
Safe digital input lines	8 / 4
Safe digital lines	8 / 4
Safe relay outputs	2 synchronized
Type of connection	pluggable screw terminals
Max. terminal cross section	1.5 mm <sup>2</sup> / AWG16, screw terminal
Drive monitoring	1 axis

Electrical characteristics	
Supply voltage	24 V DC / 2 A
Tolerance	±20 %
Current consumption (no load)	max. 150 mA
Power consumption	max. 48 W
Fuse on supply voltage	max. 3.15 A, delayed
Rated encoder power supply data	5 V or 24 V DC (approx. 2V below the supply voltage) / max. 200 mA short-circuit proof

Environmental data	
Operating temperature	-20°C ... +55°C [-4°F ... +131°F] (non condensing)
Storage temperature	-25°C ... +70°C [-13°F ... +158°F] (non condensing)
Protection acc. to EN 60529	IP20
Climate class	3 acc. to DIN 50178 (non condensing)
CE compliant acc. to	EMC guideline 2014/30/EU Machinery directive 2006/42/EC Low voltage guideline 2014/35/EU RoHS guideline 2011/65/EU

Safety characteristics	
Classification	PLd / SIL2
System structure	2 channel (Cat. 3 / HFT = 1)
PFH <sub>d</sub> value	5.73 x 10 <sup>-9</sup> h <sup>-1</sup>
DC <sub>avg</sub>	98.7 %
SFF	98.99 %
MTTF <sub>D</sub>	156.5 years
Mission time / Proof test interval	20 years
Reaction times	see operating instructions R60047
Relevant standards	EN ISO 13849-1:2008 EN 62061:2005 EN 61508:2011 EN 60947:2015

EMC	
Relevant standards	EN 61000-6-2:2006 EN 61000-6-4:2011 EN 61326-3-2:2008

Mechanical characteristics	
Size w x h x d	50 x 100 x 165 mm [1.97 x 3.94 x 6.50"]
Weight	390 g [13.76 oz]
Mounting	snap-on mounting on standard head rail
Material	housing plastic
Shock resistance acc. to EN 60068-2-27	300 m/s <sup>2</sup> , 11 ms (3 shocks) 170 m/s <sup>2</sup> , 6 ms (4000 shocks)
Vibration resistance acc. to EN 60068-2-6	70 m/s <sup>2</sup> , 10 ... 200 Hz (20 cycles)

LED display		
ERROR (yellow)	steadily on flashing slowly	error DIP 1 = OFF, factory setting DIP 3 = OFF, programming mode
ON (green)	steadily on	power on

## Safe speed monitors

<b>Safety-M compact Basic module</b>	<b>Speed monitoring – SMC1.3</b>	<b>1 axis / 1 encoder system</b>
--	----------------------------------	----------------------------------

Incremental interface (IN1) X21	
<b>Type of connection</b>	1 x pluggable screw terminal, 11-pin
<b>Signal</b>	HTL differential, RS422
<b>Frequency</b>	max. 500 kHz

Digital inputs (IN1, IN2) X23, X24	
<b>Type of connection</b>	2 x pluggable screw terminals, 5-pin
<b>HTL signal (PNP)</b>	proximity switches or digital inputs
<b>Frequency</b>	max. 1 kHz (control signals)
<b>Signal level</b>	PNP (10 ... 30 V DC / 15 mA)
<b>Design</b>	4 x complementary, 8 x single-channel

Relay outputs (OUT) X1, X2	
<b>Type of connection</b>	2 x pluggable screw terminals, 2-pin
<b>Wiring</b>	2 x two internally in line, connected in parallel
<b>Type</b>	positively driven (NO)
<b>Switching ability</b>	5 ... 250 V AC/DC
<b>Switching capacity</b>	5 ... 5000 mA

Digital switching outputs (OUT) X4	
<b>Type of connection</b>	pluggable screw terminal, 12-pin
<b>Signal</b>	HTL / push-pull
<b>Rated data digital output</b>	HTL PNP 2 ... 3 V DC lower than the input voltage 500 mA / output (total 1000 mA)
<b>Design</b>	4 x complementary 8 x single-channel, short-circuit proof
<b>Protective circuit</b>	push-pull

Incremental interface / RS422 (OUT) X5, internal signal splitter	
<b>Type of connection</b>	pluggable screw terminal, 9-pin
<b>Signal</b>	RS422 / HTL differential
<b>Frequency</b>	max. 500 kHz
<b>Signal delay</b>	RS422 <-> RS422: 500 ns HTL <-> RS422: 500 ns RS422 <-> HTL: 500 ns HTL <-> HTL: 500 ns
<b>Source</b>	incremental (X21)

Analog interface (OUT) X5	
<b>Type of connection</b>	pluggable screw terminal, 9-pin
<b>Signal</b>	analog
<b>Resolution</b>	14 bits
<b>Accuracy</b>	±0.1 %
<b>Output</b>	1 ms
<b>Frequency</b>	4 ... 20 mA
<b>Load</b>	max. 270 Ω

USB interface X12	
<b>Type</b>	USB-B female connector
<b>Standard</b>	USB 1.0
<b>Operating system</b>	WIN 7 / 8 / 9 (tested with 1511 build 0586.104)

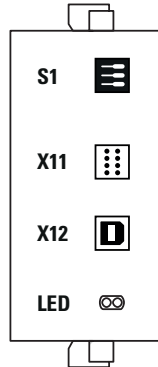
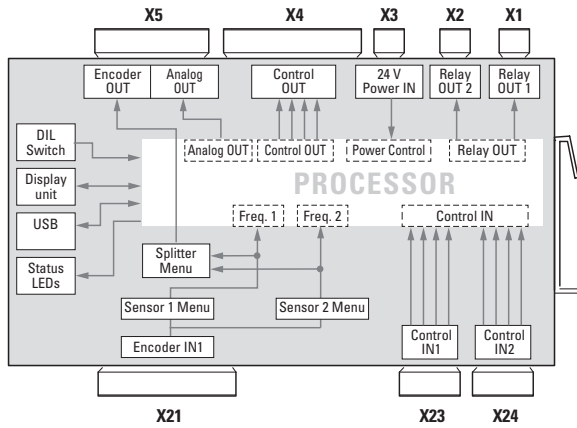
# Safe speed monitors

**Safety-M compact  
Basic module**

**Speed monitoring – SMC1.3**

**1 axis / 1 encoder system**

## Terminal assignment



**DIP switch S1**



ON		Normal operation
OFF	1	Factory setting
	2	Self-test report
	3	Programming mode

X1		X2		X3		X4												X5								
1	2	1	2	1	2	1	2	3	4	5	6	7	8	9	10	11	12	1	2	3	4	5	6	7	8	9
Relay OUT 1 (NO)		Relay OUT 2 (NO)		Power 24 V IN		Control OUT												Analog OUT			Encoder OUT					
C1 (11)	C2 (21)	NO1 (14)	NO2 (24)	GND	24 V IN	OUT 1	GND 1	/OUT 1	OUT 2	GND 2	/OUT 2	OUT 3	GND 3	/OUT 3	OUT 4	GND 4	/OUT 4	GND	4 - 20 mA	AGND	A	/A	B	/B	Z	/Z

X21											X23					X24				
1	2	3	4	5	6	7	8	9	10	11	1	2	3	4	5	1	2	3	4	5
Encoder IN 1											Control IN 1					Control IN 2				
GND	5 V OUT	24 V OUT	PWR SENSE	A	/A	B	/B	Z	/Z	GND	GND	IN 1	/IN 1	IN 2	/IN 2	GND	IN 3	/IN 3	IN 4	/IN 4

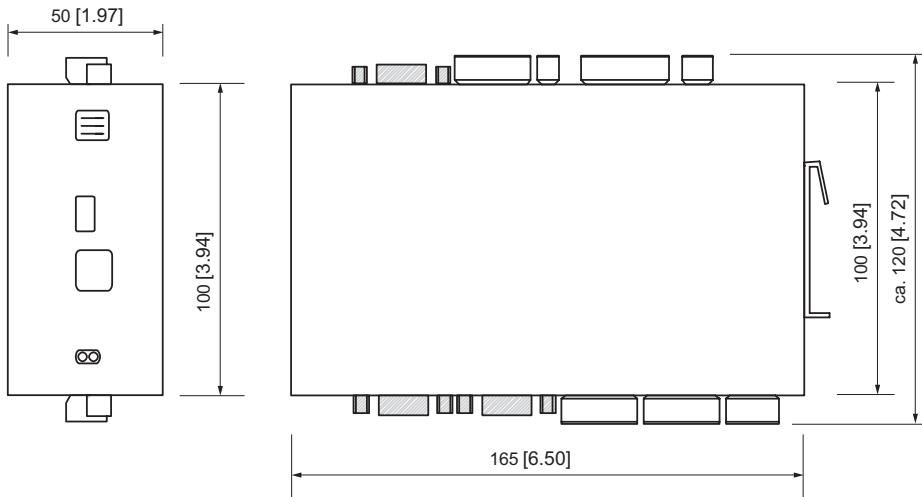
# Safe speed monitors

<b>Safety-M compact Basic module</b>	<b>Speed monitoring – SMC1.3</b>	<b>1 axis / 1 encoder system</b>
--	----------------------------------	----------------------------------

## Dimensions

Dimensions in mm [inch]

### Basic module



### Control and diagnostic display – 8.SMCB.100

(further information can be found in the section accessories)

