

# Cables and connectors

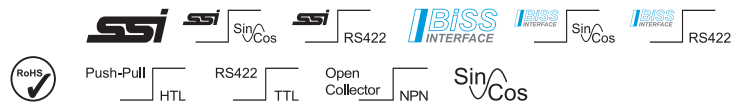
**Connectors**

**M23 connection technology**

**12 pin**



**Female connector with coupling nut,  
conting direction of the female contacts cw,  
right-angle**



**Order details**

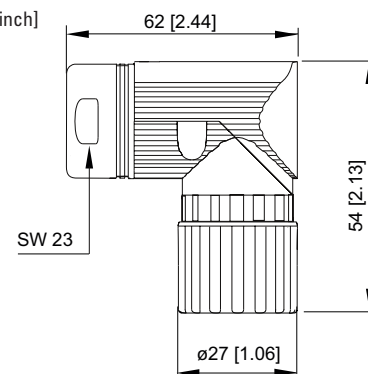
Order no.

**8.0000.5017.0000**

**Technical data**

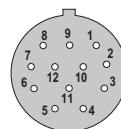
|                                  |  |
|----------------------------------|--|
| <b>Connector housing</b>         |  |
| material                         | metal                                  |
| protection                       | IP67                                   |
| <b>Cable connection</b>          |  |
| connection technology            | solder connections                     |
| for cable cross sections         | ø 5.5 ... 10.5 mm [0.22 ... 0.41"]     |
| <b>Working temperature range</b> | -20 °C ... +130 °C [-4 °F ... +266 °F] |

Dimensions in mm [inch]



**Connections**

Plug-in face, conting direction of the female contacts cw



**Suitable for our series**

| Incremental encoders | Encoders singleturn | Encoders multiturn |
|----------------------|---------------------|--------------------|
| 5000 / 5020          | 5853 / 5873         | 5863 / 5883        |
| 5803 / 5823          | 5853FSx / 5873FSx   | 5863FSx / 5883FSx  |
| 5805 / 5825          |                     |                    |
| KIS50 / KIH50        |                     |                    |
| 5814 / 5834          |                     |                    |
| 5814FSx / 5834FSx    |                     |                    |
| A020 / A02H          |                     |                    |
| H120                 |                     |                    |