

Cables and connectors

Preassembled cables

M12 connection technology

With connector, 4 pin



Male connector with external thread, D coded, straight

PUR cable, 2 x 2 x 0.34 mm² [AWG22]

flame retardant, seawater resistant, recyclable, PWIS free, acid/alkali/oil/ozon/UV resistant, halogen/silicone free, hydrolysis proof, drag chain-adapted, torsion resistant, welding sparks resistant

Male connector with external thread, D coded, right-angle



EtherNet/IP



Order details

Order no.

For port A (1) and B (2)

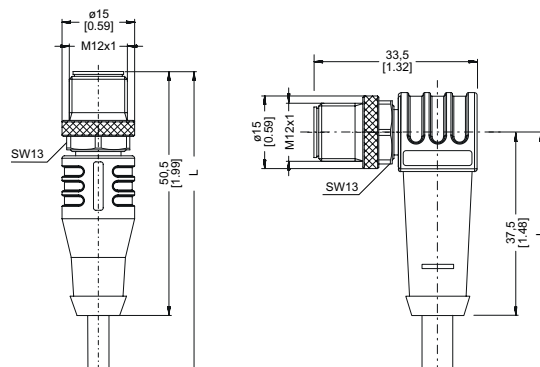
Cable length	2 m [6.56']	05.00.6031.4544.002M	
	5 m [16.40']		05.00.6031.4544.005M

	xx m		05.00.6031.4544.0xxM
	standard cable length (further on request)	xx = length in meters: 2, 5, 10, 15, 20, 30	

Technical data

Connector	
material housing	metal / plastic
protection	IP67
Wire cross sections	2 x 2 x 0.34 mm ² [AWG22] + shield
Working temperature range	
flexible installation	-30 °C ... +70 °C [-22 °F ... +158 °F]
fixed installation	-40 °C ... +75 °C [-40 °F ... +167 °F]
Bending radius cable min.	
flexible installation	52 mm [2.05"]
fixed installation	26 mm [1.02"]
Cable sheath	
cable diameter approx.	6.5 mm ±0.2 mm
material sheath	PUR

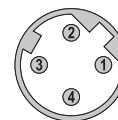
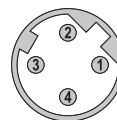
Dimensions in mm [inch]



Connections

Shield on housing

Plug-in face, D coded



Suitable for our series

Encoders singleturn	Encoders multiturn	Draw-wire encoders	Linear measuring systems	Slip rings
5858 / 5878	5868 / 5888	B75	Limes KIT TB1	SR120
F5858 / F5878	F5868 / F5888	B80		SR160
S5858 / S5878	S5868 / S5888	C105		
		C120		