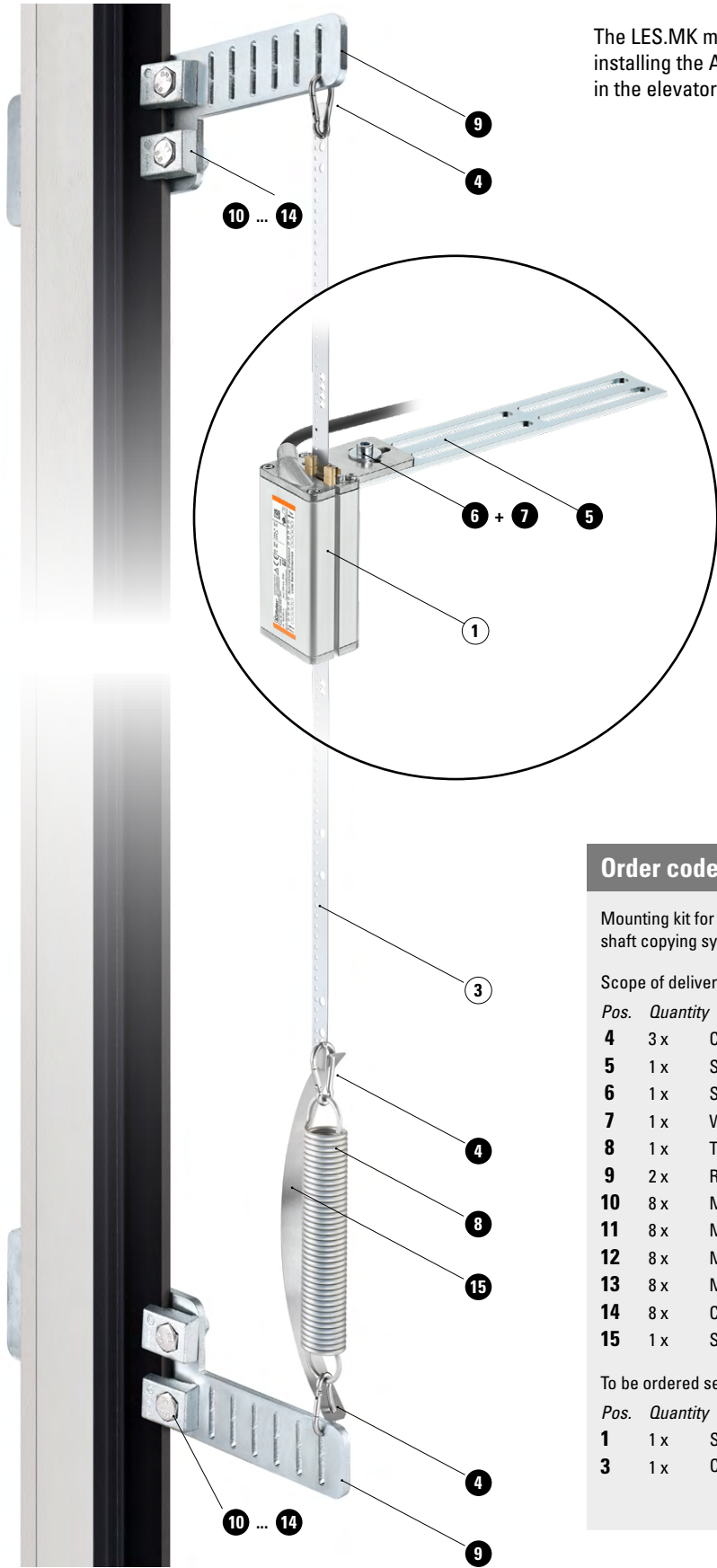


# Shaft copying systems

<b>Accessories</b>	<b>LES.MK</b>	<b>Mounting kit Safe</b>
--------------------	---------------	--------------------------



The LES.MK mounting kit includes all components required for installing the Ants LES02 and Ants LES03 sensor and its coded band in the elevator shaft.

### Order code

Mounting kit for the safe shaft copying systems Ants LESx **8.LES.MK.0001**

Scope of delivery:

Pos.	Quantity	
4	3 x	Carabiners
5	1 x	Sensor cabin fastening plate
6	1 x	Sensor fastening screw
7	1 x	Washer
8	1 x	Tension spring
9	2 x	Rail fastening plates
10	8 x	M10x30 hexagon head screws
11	8 x	M10 hexagon nuts
12	8 x	M10 large diameter washers
13	8 x	M10 spring washers
14	8 x	Clamping plates
15	1 x	Securing band

To be ordered separately (see Ants LES02 or Ants LES03 data sheet):

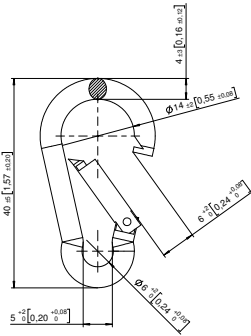
Pos.	Quantity	
1	1 x	Sensor Ants LES0x (8.LES0x.xxxx.xxxx)
3	1 x	Coded stainless steel band LEX.BA (8.LEX.BA.xxxx)

# Shaft copying systems

<b>Accessories</b>	<b>LES.MK</b>	<b>Mounting kit Safe</b>
--------------------	---------------	--------------------------

Technical data single elements	Dimensions in mm [inch]
--------------------------------	-------------------------

**4 Carabiner**

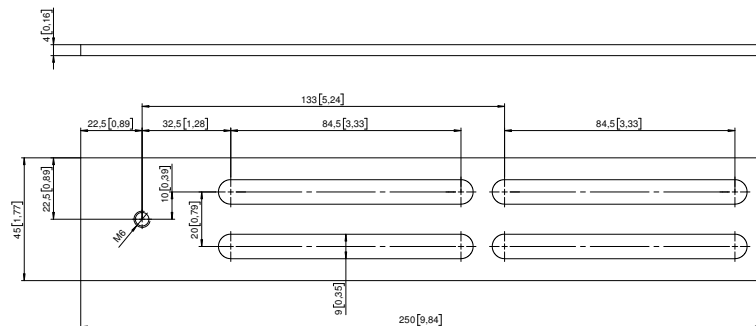


Material: V4A stainless steel  
 Dimensions: 4 x 40 mm [0.16 x 1.57"]  
 Breaking load: 590 kg

**5 Sensor cabin fastening plate**



Material: galvanized steel



**8 Tension spring**

with closed hooks



Material: Galvanized spring steel wire strength class SH  
 Wire diameter: 3.20 mm [0.13"]  
 External diameter: 29 mm [1.14"]  
 Untensioned length: 170 mm [6.69"]  
 Tensioned length: 320 mm [12.60"]  
 Spring travel: 150 mm [5.90"]  
 External hook diameter: 29 mm [1.14"]  
 Load: 263.26 N

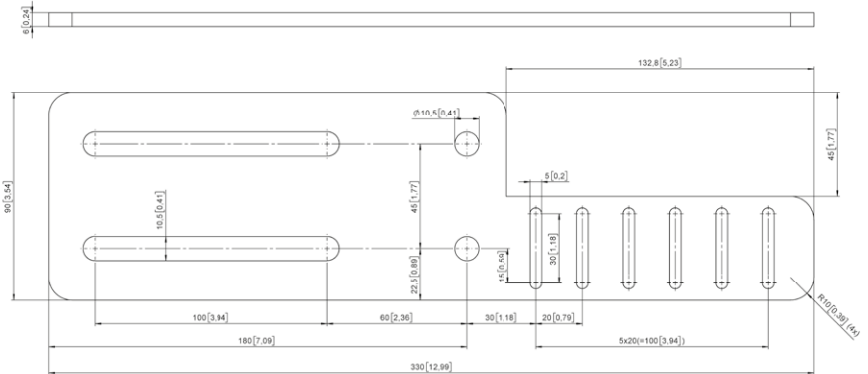
# Shaft copying systems

<b>Accessories</b>	<b>LES.MK</b>	<b>Mounting kit Safe</b>
--------------------	---------------	--------------------------

<b>Technical data single elements</b>	Dimensions in mm [inch]
---------------------------------------	-------------------------

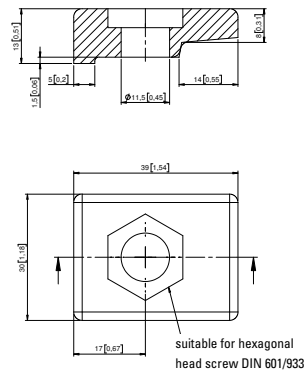
**9 Rail fastening plates**

Material: Galvanized steel  
Material thickness: 6 mm [0.24"]



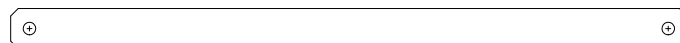
**14 Clamping plates**

Material: Galvanized steel  
Nominal size: M10  
Through hole: 11.5  
Permissible force: 20 kN  
Permissible force component: 10.74 kN  
Clamping surface force: 4.68 kN  
Counter surface force: 6.06 kN  
Required tightening torque: 40 Nm



**15 Securing band**

Material: V2A spring-tensioned stainless steel  
Dimensions: 16 mm x 0.4 mm [0.63 x 0.016"]  
Max. length: 270 mm [10.63"]  
Thermal expansion coefficient:  $16 \times 10^{-6} / K$ , zw. 20°C ... 100°C



## Shaft copying systems

Accessories	LES.MK	Mounting kit Safe
Accessories / Spare parts		Order-no.
<b>Carabiner</b>	as spare part	<b>8.LEX.ZB.0007</b>
<b>EMC shield terminal</b>	for EMC-compliant cable installation	<b>8.0000.4G06.0312</b>
<b>Screw retention Loctite 243 (5 ml)</b>	to secure and ensure the tightness of threaded fastening elements	<b>8.0000.4G05.0000</b>