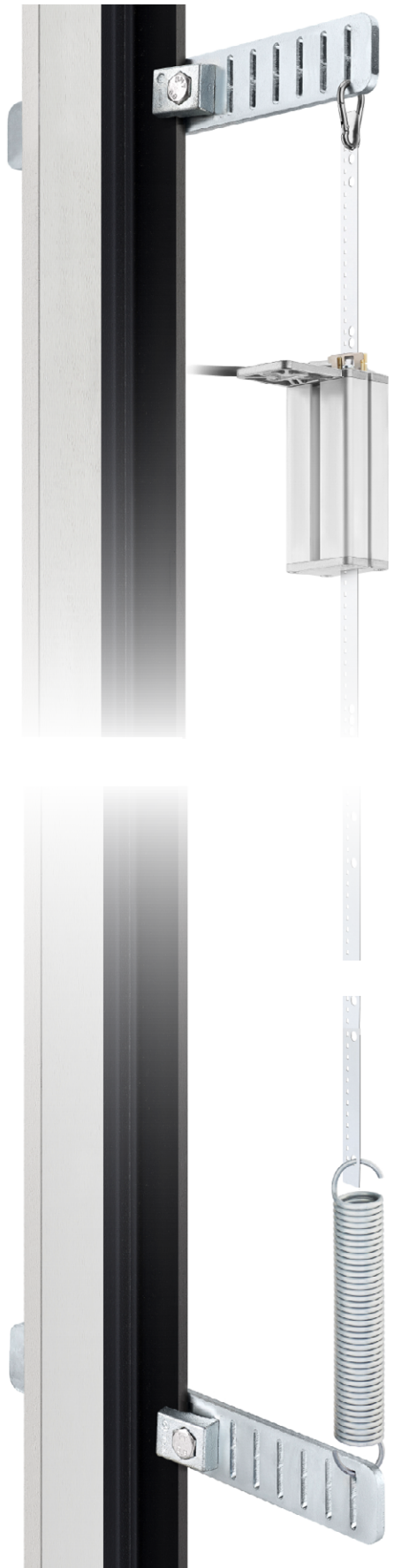


Shaft copying systems

Accessories	LEB.MK	Mounting kit Base
--------------------	---------------	--------------------------



The Base mounting kits includes all the components required for quick and easy installation of the Ants LEB02 sensor and its coded band on the elevator system.

Order code

8.LEB.MK Type	XXXX a
-------------------------	------------------

a *Mounting type*

- 0001 = rail fastening
- 0005 = rail fastening 90°
- 0004 = dowel fastening

(Details, scope of delivery see next page)

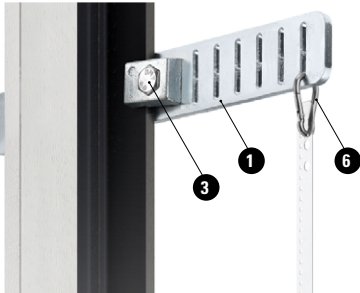
To be ordered separately (see Ants LEB02 data sheet)

- Sensor Ants LEB02 (8.LEB02.xxxx.xxxx)
- Coded stainless steel band LEX.BA (8.LEX.BA.xxxx)

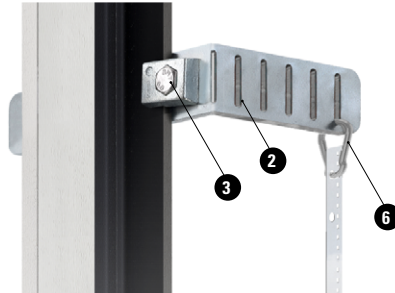
Shaft copying systems

Accessories	LEB.MK	Mounting kit Base
-------------	--------	-------------------

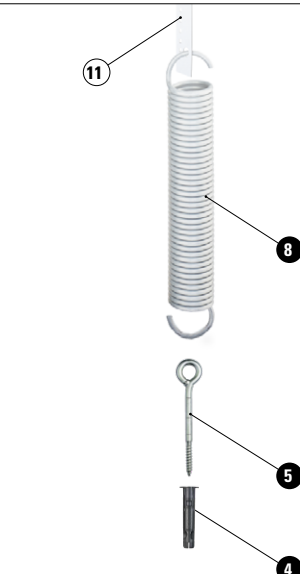
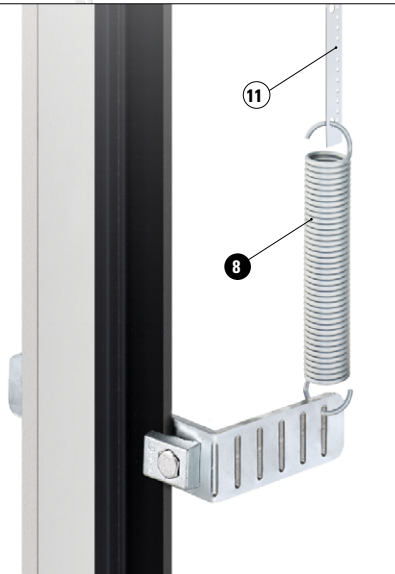
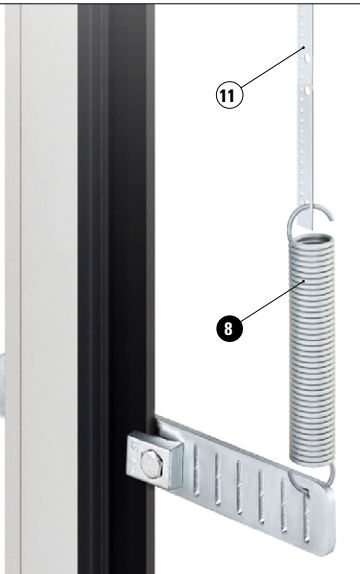
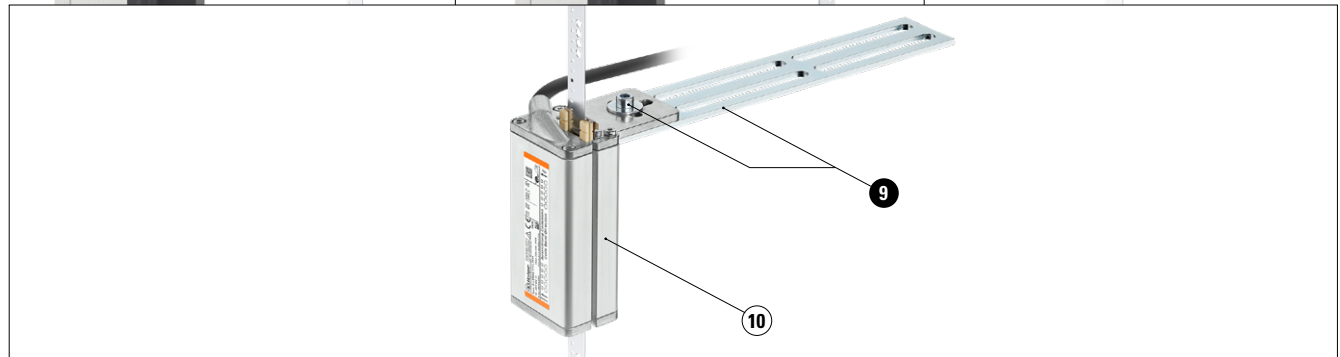
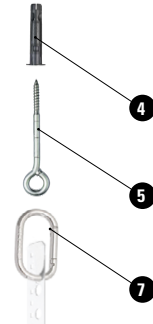
Rail fastening LEB.MK.0001



Rail fastening 90° LEB.MK.0005



Dowel fastening LEB.MK.0004



Scope of delivery:

- ① 2 x Rail fastening plates
- ③ 4 x Clamping plates with M10x30 hexagon head screws, hexagon nuts, large diameter washers, spring washers
- ⑥ 1 x Carabiners rail fastening
- ⑧ 1 x Tension spring
- ⑨ 1 x Sensor cabin fastening with fastening screw and washer

To be ordered separately (see Ants LEB02 data sheet):

- ⑩ 1 x Sensor Ants LEB02
- ⑪ 1 x Coded stainless steel band LEX.BA

Scope of delivery:

- ② 2 x Rail fastening plates 90°
- ③ 4 x Clamping plates with M10x30 hexagon head screws, hexagon nuts, large diameter washers, spring washers
- ⑥ 1 x Carabiners rail fastening
- ⑧ 1 x Tension spring
- ⑨ 1 x Sensor cabin fastening with fastening screw and washer

To be ordered separately (see Ants LEB02 data sheet):

- ⑩ 1 x Sensor Ants LEB02
- ⑪ 1 x Coded stainless steel band LEX.BA

Scope of delivery:

- ④ 2 x Plastic all-purpose dowel
- ⑤ 2 x Eyebolt
- ⑦ 1 x Carabiners dowel fastening
- ⑧ 1 x Tension spring
- ⑨ 1 x Sensor cabin fastening with fastening screw and washer

To be ordered separately (see Ants LEB02 data sheet):

- ⑩ 1 x Sensor Ants LEB02
- ⑪ 1 x Coded stainless steel band LEX.BA

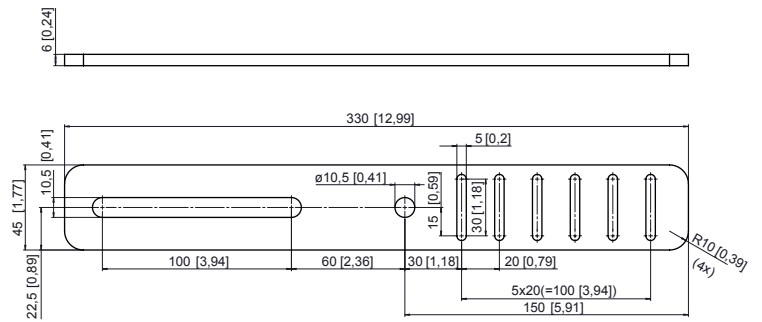
Shaft copying systems

Accessories	LEB.MK	Mounting kit Base
--------------------	---------------	--------------------------

Technical data single elements Dimensions in mm [inch]

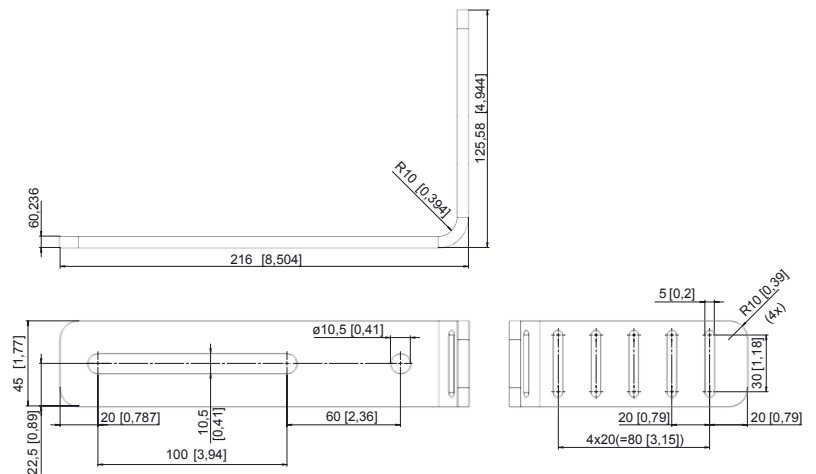
1 Rail fastening plates

Material Galvanized steel
Material thickness 6 mm [0.24"]



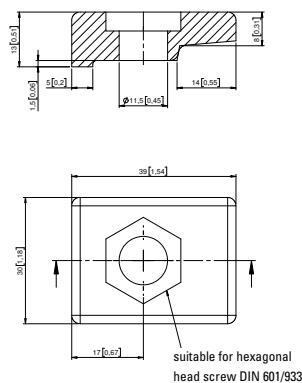
2 Rail fastening plates 90°

Material Galvanized steel
Material thickness 6 mm [0.24"]



3 Clamping plates

Material Galvanized steel
Nominal size M10
Through hole 11.5
Permissible force 20 kN
Permissible force component 10.74 kN
Clamping surface force 4.68 kN
Counter surface force 6.06 kN
Required tightening torque 40 Nm



Shaft copying systems

Accessories	LEB.MK	Mounting kit Base
--------------------	---------------	--------------------------

Technische Daten Einzelteile	Maße in mm [inch]
------------------------------	-------------------

4 Plastic all-purpose dowel



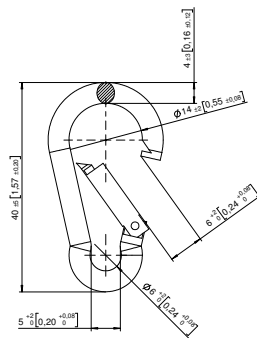
Material	Polyamide
Diameter [mm]	10
Length [mm]	56
Bore diameter [mm]	10
Bore hole depth [mm]	65
Max. force [kN]	in concrete: 1,9 In solid brick: 1,4

5 Eybold



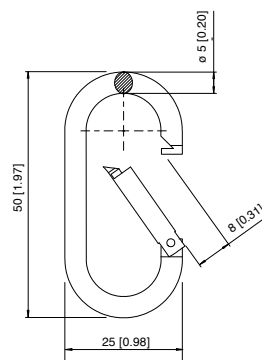
Material	Steel 4.8, blue zinc plated
Diameter [mm]	8
Shaft length [mm]	80
Eye diameter [mm]	22
Required drill diameter [mm]	10
Screw-in depth [mm]	50

6 Carabiner rail fastening



Material	V4A stainless steel
Dimensions	4 x 22 x 40 mm [0.16 x 0.87 x 1.57"]
Breaking load	590 kg

7 Carabiner dowel fastening




Material	Stainless steel AISI 316 / A4
Dimensions	5 x 25 x 50 mm [0.20 x 0.98 x 1.97"]
Breaking load	340 kg

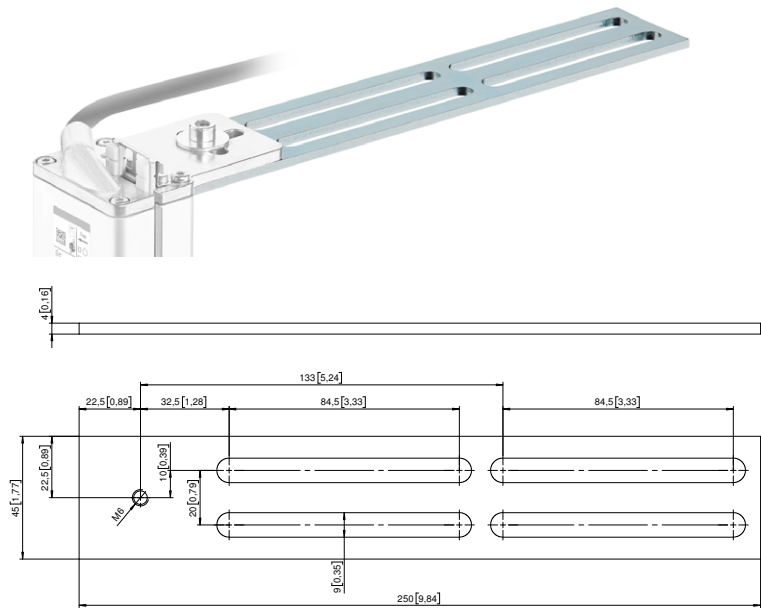
Shaft copying systems

Accessories	LEB.MK	Mounting kit Base
--------------------	---------------	--------------------------

Technical data single elements	Dimensions in mm [inch]
---------------------------------------	-------------------------

8	Tension spring with open eyelets		<table border="0"> <tr> <td>Material</td> <td>Galvanized spring steel wire strength class SH</td> </tr> <tr> <td>Wire diameter</td> <td>3.20 mm [0.13"]</td> </tr> <tr> <td>External diameter</td> <td>29 mm [1.14"]</td> </tr> <tr> <td>Untensioned length</td> <td>170 mm [6.69"]</td> </tr> <tr> <td>Tensioned length</td> <td>320 mm [12.60"]</td> </tr> <tr> <td>Spring travel</td> <td>150 mm [5.90"]</td> </tr> <tr> <td>External hook diameter</td> <td>29 mm [1.14"]</td> </tr> <tr> <td>Load</td> <td>263.26 N</td> </tr> </table>	Material	Galvanized spring steel wire strength class SH	Wire diameter	3.20 mm [0.13"]	External diameter	29 mm [1.14"]	Untensioned length	170 mm [6.69"]	Tensioned length	320 mm [12.60"]	Spring travel	150 mm [5.90"]	External hook diameter	29 mm [1.14"]	Load	263.26 N
Material	Galvanized spring steel wire strength class SH																		
Wire diameter	3.20 mm [0.13"]																		
External diameter	29 mm [1.14"]																		
Untensioned length	170 mm [6.69"]																		
Tensioned length	320 mm [12.60"]																		
Spring travel	150 mm [5.90"]																		
External hook diameter	29 mm [1.14"]																		
Load	263.26 N																		

9	Sensor cabin fastening plate	<table border="0"> <tr> <td>Material</td> <td>galvanized steel</td> </tr> </table>	Material	galvanized steel
Material	galvanized steel			



Accessories / Spare parts		Order-no.
Carabiner rail fastening	as spare part	8.LEX.ZB.0007
Carabiner dowel fastening	as spare part	8.LEX.ZB.0015
EMC shield terminal	for EMC-compliant cable installation	8.0000.4G06.0312
Screw retention Loctite 243 (5 ml)	to secure and ensure the tightness of threaded fastening elements	8.0000.4G05.0000